

THRU-HOLE TYPE OSCILLATOR

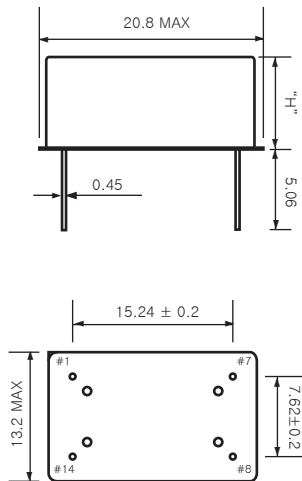
HCMOS / TTL OUTPUT

Electrical Specification

Model	OGN5.0, OGE5.0	OGN3.3, OGE3.3
Supply Voltage (Vcc)	5Vdc \pm 5%(Std.)	3.3Vdc \pm 5%(Std.)
Frequency Range	0.25 to 800MHz	
Frequency Stability	See table 1(OSC part number guide)	
Operating Temperature	See table 2(OSC part number guide)	
Storage Temperature	-55 to 125 $^{\circ}$ C	
Supply Current	20mA Max @ 20MHz	
Symmetry	60/40%, 55/45%	
Rise and Fall time	10ns Max(Std.)	
Load	15pF/10TTL(Std.)	
Aging	\pm 5.0ppm Max/Year(Std.)	

Dimensions

[FULL SIZE]



FULL	Pin Connection	HALF
#1	N.C. or Tristate	#1
#7	Ground	#4
#8	Output	#5
#14	Vcc	#8

Package Code	Height 'H'
FA	5.08 Max
FC	6.8 Max

[HALF SIZE]

